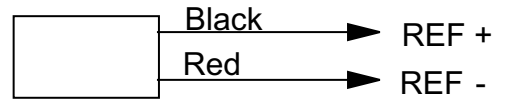
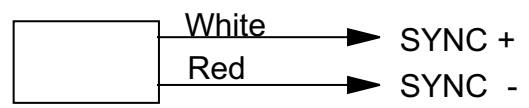


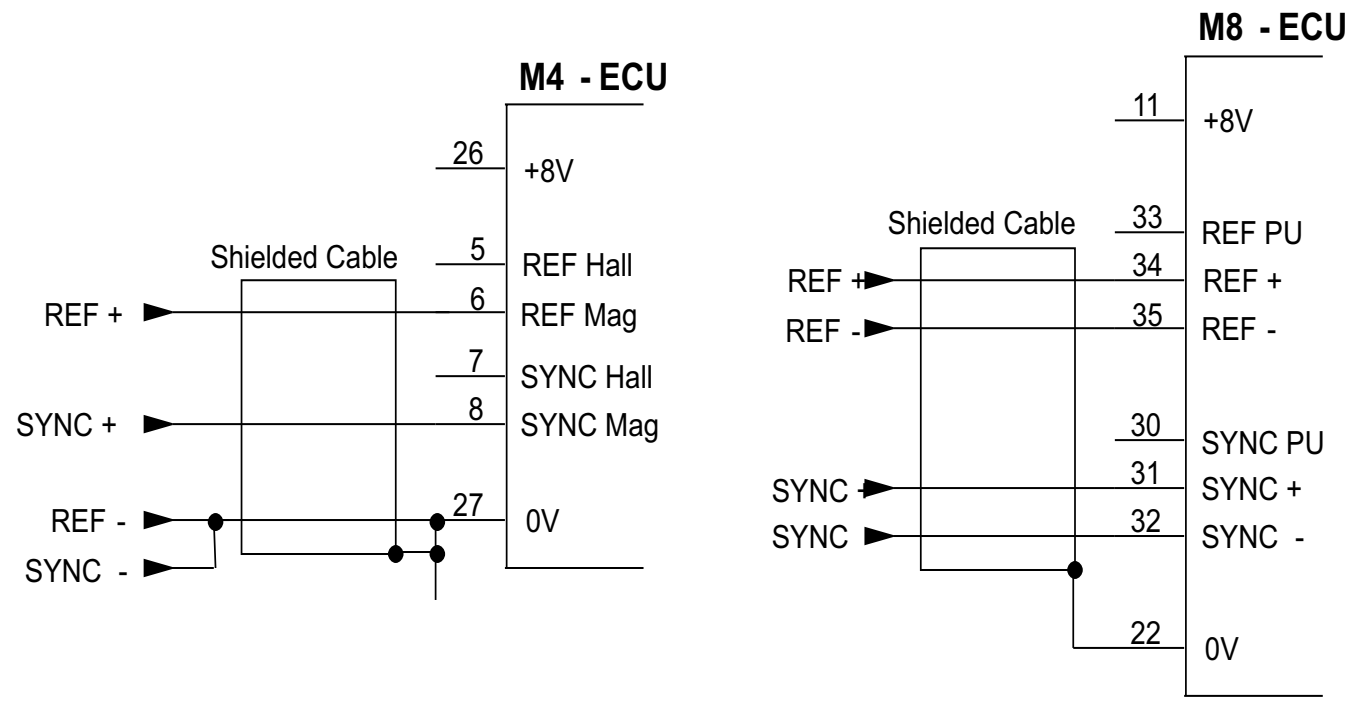
12 Tooth Sensor



1 Tooth Sensor



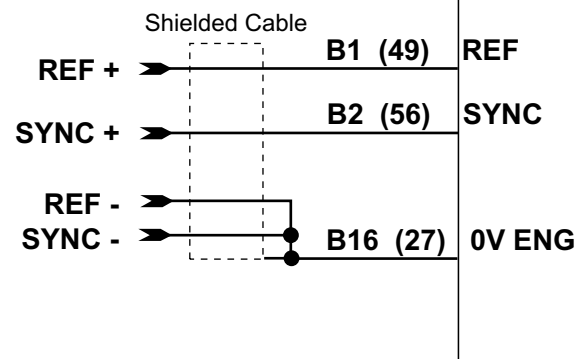
Pinout Type A



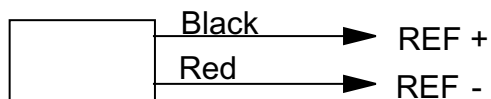
Engine Type		Series 6				
Pinout Type		A				
Setup	M4 Only	rfSn	2			
		SYSn	2			
		rEF	14			
		cr t	12			
		criP	20			



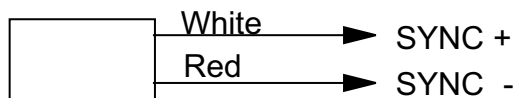
M800 (M880) ECU



12 Tooth Sensor



1 Tooth Sensor



Pinout Type A

Engine Type	Series 6
Pinout Type	A

Sensor Setup - REF/SYNC Sensor Setup

REF Sensor Type	Magnetic
REF Sensor Edge	Fall
REF Sensor Filter	1.0
SYNC Sensor Type	Magnetic
SYNC Sensor Edge	Fall
SYNC Sensor Filter	1.0

General Setup - Main Setup

REF / SYNC Mode	2
Crank Ref Teeth	12
Crank Index Position	20

Magnetic Sensor Tables (Sensor Setup - Ref / Sync Setup)

REF / SYNC RPM Site	0	500	1000	7000		RPM
Ref Magnetic Levels	0.2	0.5	1.0	2.0		Volts
SYNC Magnetic Levels	0.2	0.5	1.0	2.0		Volts

Note: Magnetic Sensor levels may need to be adjusted in some applications

MoTeC

Title **Mazda 12 Tooth Mag on Crank**

Sheet No Drawing No

Date 16/06/2004 Drawn ST App AD Products ECU

2 of 2

T15