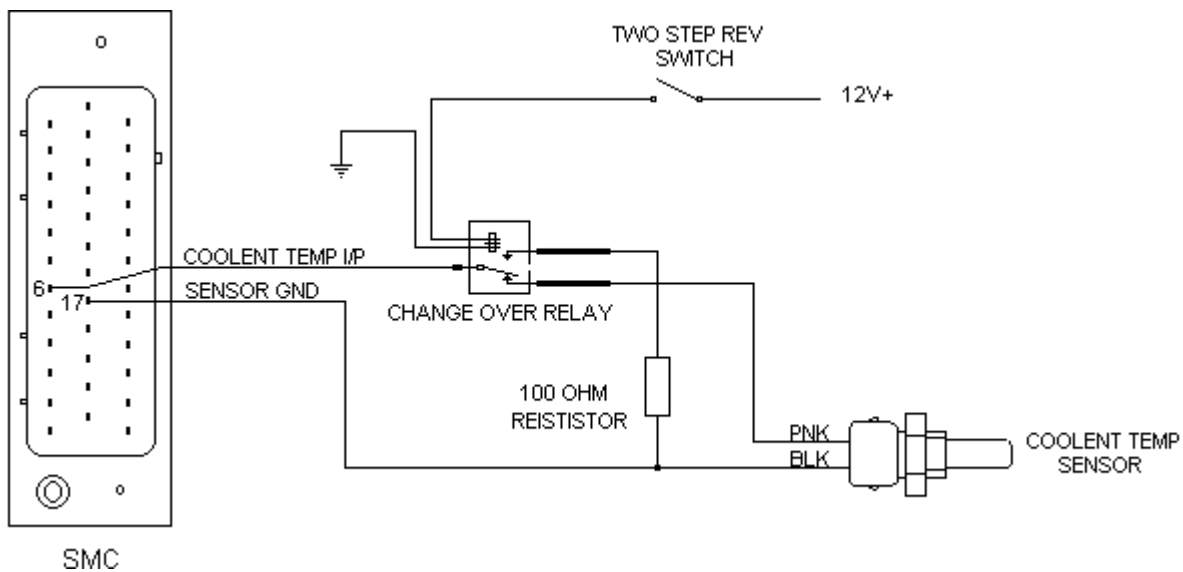


SMC Two Step Rev Limiter

SMC setup for a two step rev limiter.



When the switch is closed the ECU will see the coolant temperature as 127 deg C.

Setup the rev limit table as follows for a 4000 and 6000 RPM

Coolant temp (DEG C)			
0	60	119	120
6000	6000	6000	4000

You can also setup the "Ign Mod1 Temp" table as follows to add a mild anti lag for turbocharged engines to increase boost pressure.

Coolant temp (DEG C)			
0	60	119	120
0	0	0	-25

If additional fuel is also required with the anti lag then setup the "Warm up Enrichment Mul" table as follows.

Coolant temp (DEG C)			
-10	60	119	120
1.3	1.0	1.0	1.5