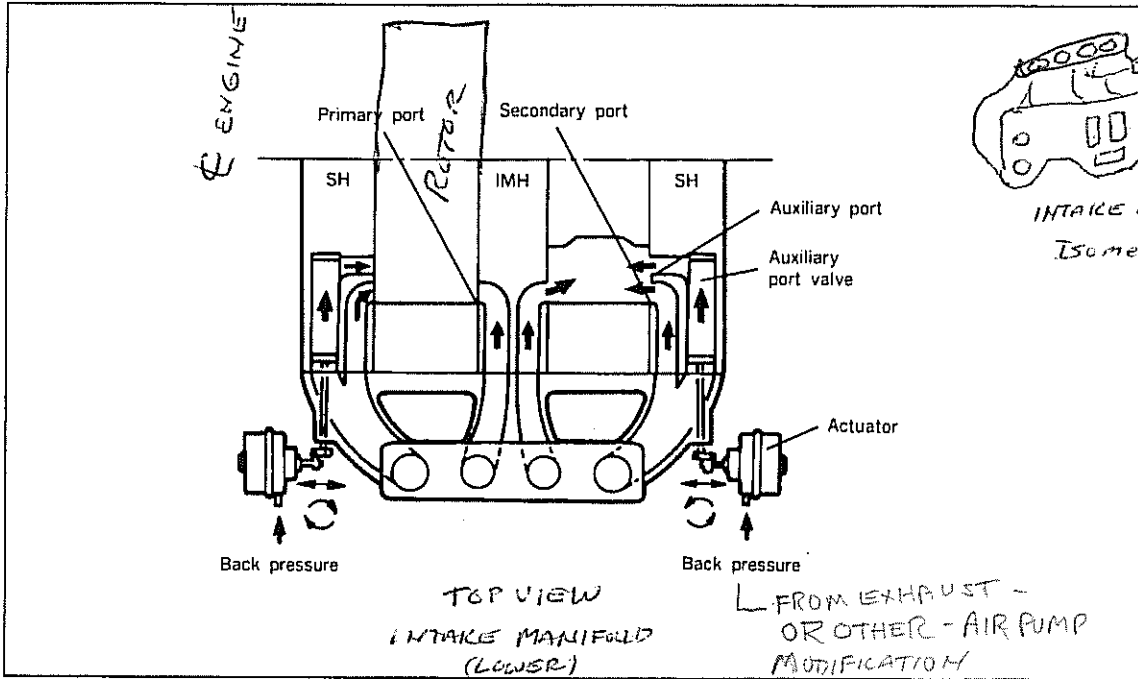


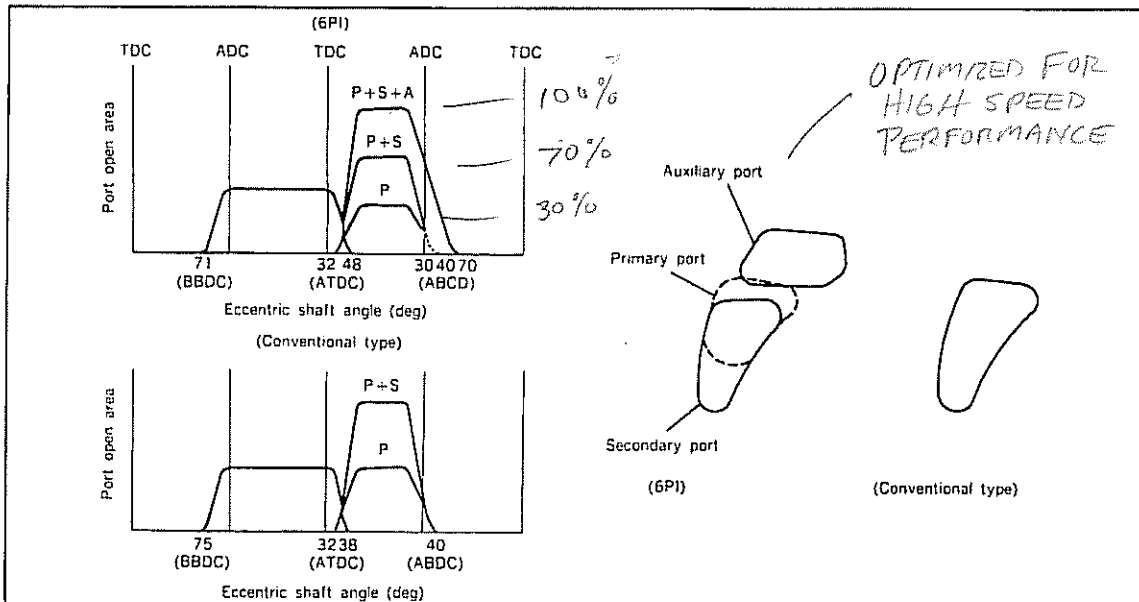
2. 6PI (6-PORT INDUCTION) SYSTEM

The 6PI system is composed of three intake ports per rotor: a primary, a secondary, and a secondary-auxiliary port. There is a total of six ports in a twin-rotor engine.



To prevent mixture blowback into the intake manifold at low speeds, the IC (intake port close) timing of the primary and secondary main ports are relatively advanced to suit the low-speed requirement. IC timing of the auxiliary port is optimized for high-speed performance. The auxiliary port is equipped with a rotating valve (auxiliary port valve), controlled by exhaust pressure which is virtually proportional to the power.

This rotating valve closes at low speeds, and opens or closes at high speeds depending on demand.



OPTIMIZED FOR HIGH SPEED PERFORMANCE